

Series MT

Orange loading grab



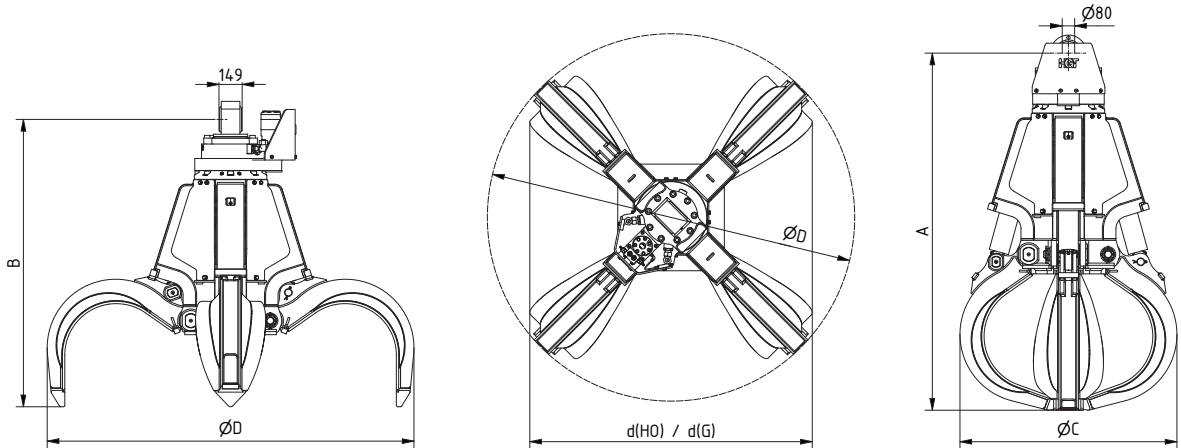
MT4.1 HD-4 *(with DWP-26)*

Excavator weight class (t): 30-55

Operating pressure (bar): 350 grabbing / 140 slewing

Load bearing capacity (t): Grab: 8 / Slewing gear: 26

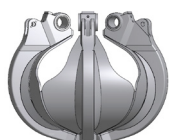
Speed (rpm): 15



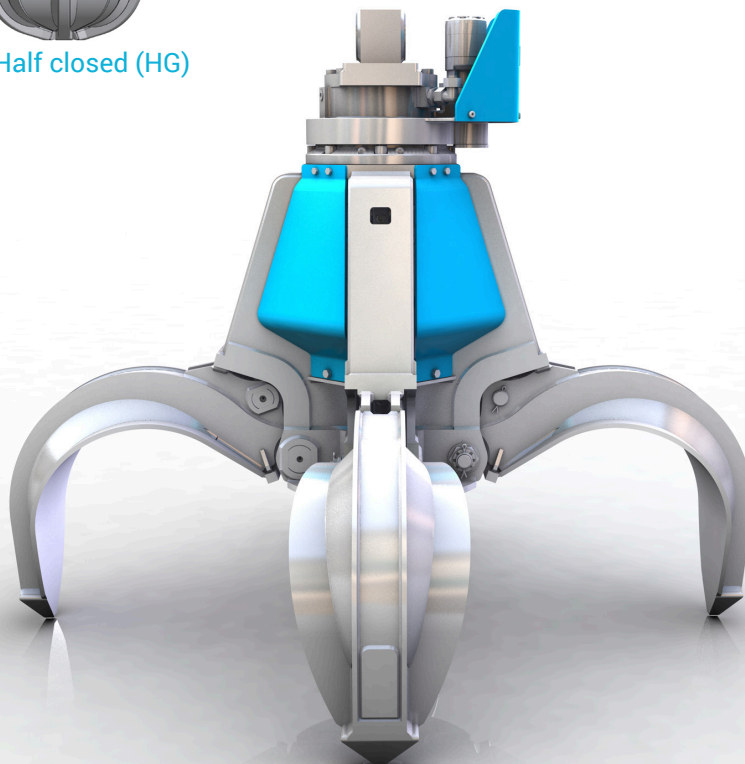
| Type | Capacity (l) | Weight (kg) | | Dimensions (mm) | | | | | | |
|-----------------|--------------|-------------|------|-----------------|------|-------|-------|------|-------|-------|
| | | HO | HG | A | B | C(HO) | C(HG) | D | d(HO) | d(HG) |
| MT4.1 HD-600-4 | 600 | 1762 | 1943 | 2294 | 1846 | 1400 | 1550 | 2360 | 1815 | 2118 |
| MT4.1 HD-800-4 | 800 | 1809 | 2008 | 2443 | 1897 | 1470 | 1650 | 2640 | 2009 | 2322 |
| MT4.1 HD-1000-4 | 1000 | 1875 | 2083 | 2578 | 1852 | 1535 | 1740 | 2870 | 2197 | 2517 |

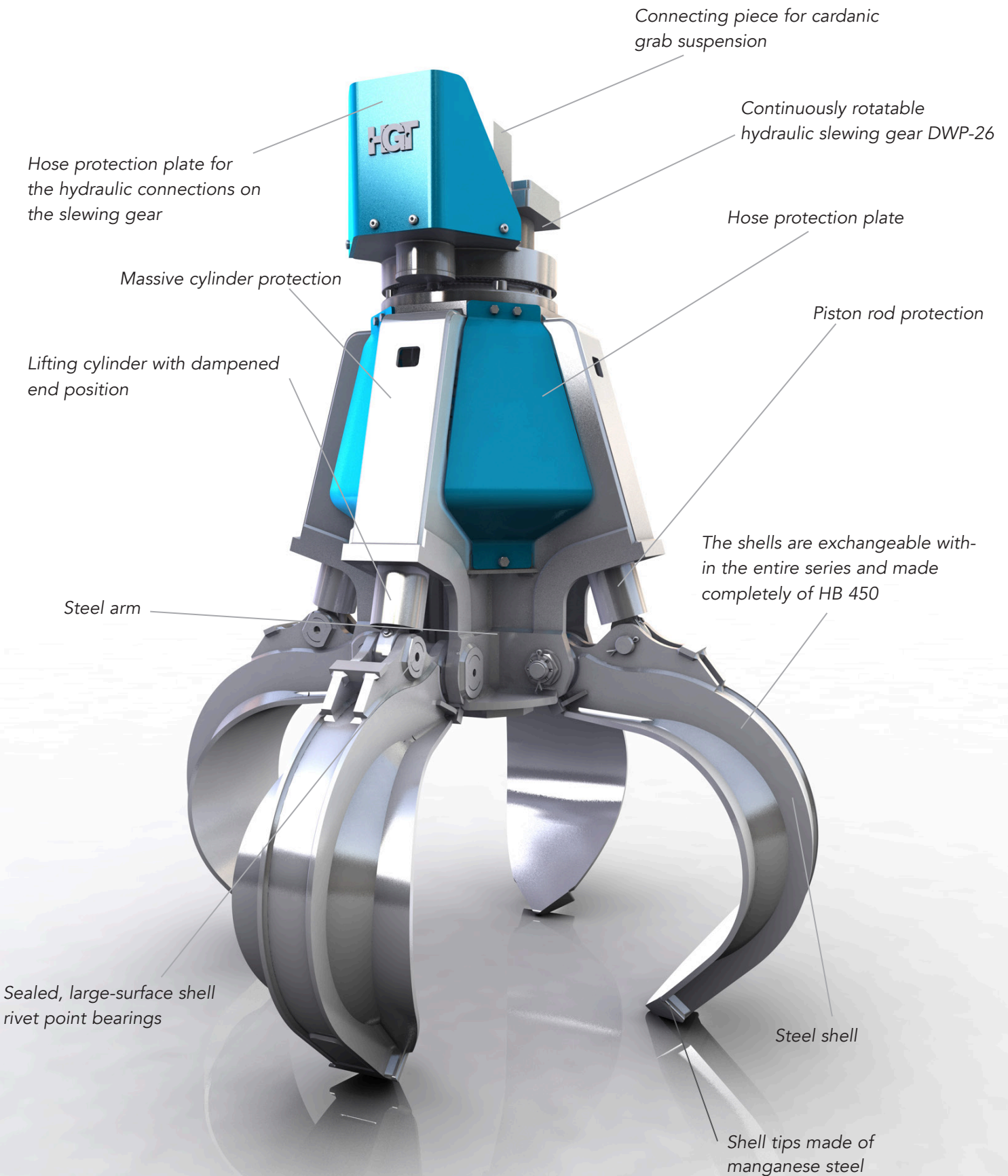


Half open (HO)



Half closed (HG)





Special handling and sorting grab for large and bulky material such as found in quarries, scrap sorting, waste and recycling facilities. Available as 4 and 5 arm version.